

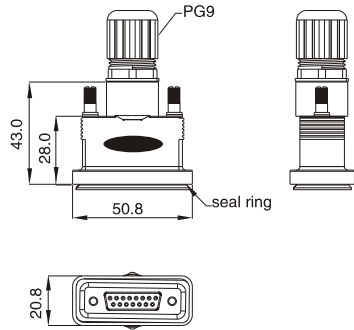
Westfield Select IP67 15 way D-Sub Connectors Retro-Fit to Cable

IP67 15 way D-Sub Connectors Retro-Fit Field Assembly - Self Fixing

Plating: Gold Flash
Other Options Available

Front Mount

Locking via Thumbscrews



General information

Ambient temperature:	-25 °C ~ + 70 °C
Connector insert:	PBT+GF
Connector contacts:	Brass with gold plated
Coupling nut/screw:	Brass nickel plated
Seal-ring:	FKM

Insulation resistance:	≥ 1000MΩ
Contact resistance :	≤ 10mΩ
Shielding:	Unavailable
IP rating:	IP 67 in locked condition

Part Numbers
 15way Male D = IP67RFM15BK
 15way Female D = IP67RFF15BK

Electrical data & Mechanical data

Contacts	Rated current	Voltage	
		A/C	D/C
D-Sub 15P	5A	300V	300V

Remarks

For Other Gold Plating Options / Mating Cycles

Please Contact Sales Office